



---

Integrated Digital Signage Solutions

---



[www.cypeurope.com](http://www.cypeurope.com)

## Introduction

Advanced control and flexibility is the key to CYP digital signage solutions. Our comprehensive range of solutions encompasses all areas of digital signage including content management, signal distribution and professional screens to display the media content.

### Media Control and Content Management

The DS-MP1000 media player is a comprehensive content management system that provides the platform for any integrated digital signage system. Using a compact, low voltage solid state PC as the hardware backbone and an intuitive browser based content management system for control and scheduling, the DS-MP1000 provides both advanced features and new levels of flexibility for the user.

### Digital Signage Displays and Video Walls

We have two standard screen types - 42" LCD with 10mm bezels, and 47" LED Super Slim Screen with ultra narrow 4+2mm bezels. Each of these screen options include built-in control modules and use the latest technology accepting full 1080P input resolutions, with bi-directional RS-232 control functionality enabled, and can be installed in a limitless number of configurations. We have prepared



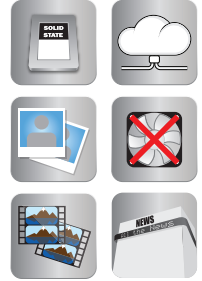
a some standard packages to meet the requirements of most applications, The packages include a Single screen option, 2x2, 3x3, 4x4 and a 5x5 digital signage system, all of which are supplied with a complete mounting system, distribution amplifiers to suit, and controls.

### AV Signal Distribution

With over 300 unique solutions, CYP offer the most comprehensive range of HDMI and AV distribution solutions available to installers. Utilising CYP distribution solutions together with our digital signage products will enable a user to confidently install an integrated system with an unlimited number of output displays, all up to lengths of 300m.

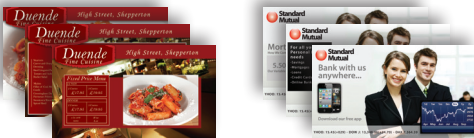


# DS-MP1000 - Digital Signage Media Player



The DS-MP1000 media player is a comprehensive content management system that provides the platform for any integrated digital signage system. Using a compact, low voltage solid state PC as the hardware backbone and an intuitive browser based content management system for control and scheduling, the DS-MP1000 provides both advanced features and new levels of flexibility for the user.

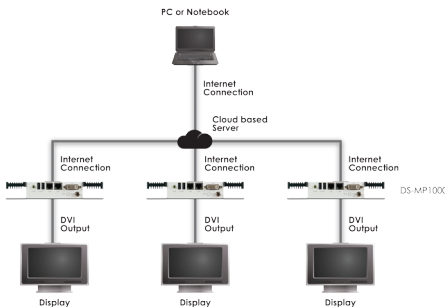
The cloud based content management system can be set up in minutes and managed remotely by multiple users anywhere in the world. The integrated digital content can include video, images, web pages, RSS Feeds, rolling ticker feeds and live TV, all of which can be scheduled and altered quickly to efficiently optimise the impact of any targeted marketing communication



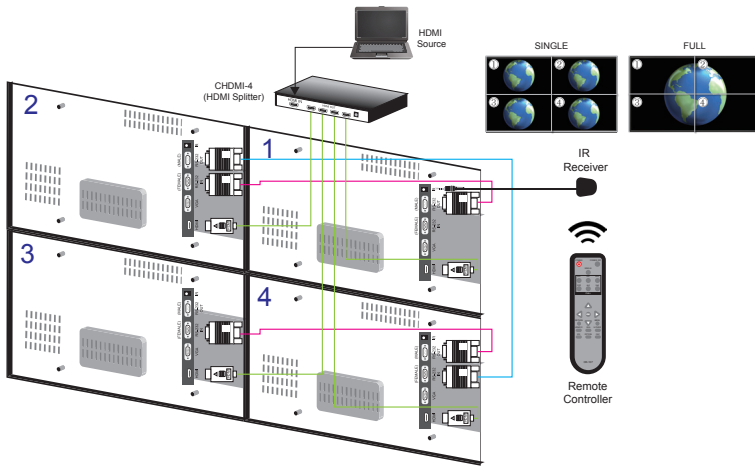
Create and edit your own Templates, add your content and schedule to create your unique Digital Signage

## Features

- Low voltage solid state PC hardware (Wall mountable)
- Cloud based browser controlled content management system
- Customisable design layouts to integrate and display video, images, internet content, presentations, text and live feeds
- Remote browser access enables content upload and scheduling from any external location
- Intuitive schedule planner enables complete control of template and content timings
- Unlimited number of media players can be allocated to a single user account, enabling nationwide estate management from a single interface
- Assign unlimited content administrators with comprehensive access rights control function for enhanced integration and management
- Up to 1080p HD resolutions and audio supported
- No ongoing management or support costs
- 3 Year Manufacturer Warranty



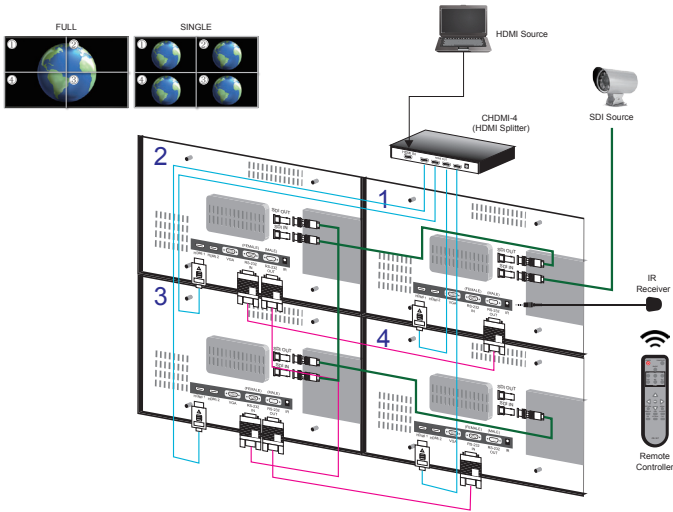
# 42" LCD Screen Digital Signage Solutions



## 42" LCD Screen Systems

Product Code	Description
DS-42A	Single 42" 1080P LCD Screen with HDMI & VGA Connections (10mm bezel)
DS-42A22	2x2 Video Wall System 4 x 42" 1080P LCD Screens (with HDMI & VGA Connections) 4 x Horizontal Wallmount Kit 1 x 4-way splitter 1 x IR remote and cable
DS-42A33	3x3 Video Wall System 9 x 42" 1080P LCD Screens (with HDMI & VGA Connections) 9 x Horizontal Wallmount Kit 1 x 10-way splitter 1 x IR remote and cable
DS-42A44	4x4 Video Wall System 16 x 42" 1080P LCD Screens (with HDMI & VGA Connections), 16 x Horizontal Wallmount Kit 1 x 16-way splitter 1 x IR remote and cable
DS-42A55	5x5 Video Wall System 25 x 42" 1080P LCD Screens (with HDMI & VGA Connections), 25 x Horizontal Wallmount Kit 2 x 16-way splitter 1 x IR remote and cable

# 47" LED Super Slim Screen Digital Signage Solutions

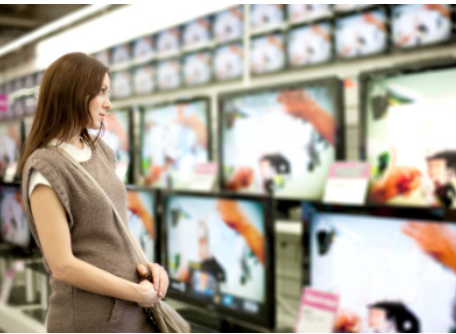


## 47" Super Slim LED Screen Systems

Product Code	Description
DS-47A	Single 47" LED Screen with HDMI, SDI, & VGA Connections (ultra narrow 4+2mm bezel)
DS-47A22	2x2 Video Wall System 4 x 47" LED Screens (with HDMI, SDI, & VGA Connections) 4 x Horizontal Wallmount Kit 1 x IR remote and cable
DS-47A33	3x3 Video Wall System 9 x 47" LED Screens (with HDMI, SDI & VGA Connections) 9 x Horizontal Wallmount Kit 1 x IR remote and cable
DS-47A44	4x4 Video Wall System 16 x 47" LED Screens (with HDMI, SDI & VGA Connections), 16 x Horizontal Wallmount Kit 1 x IR remote and cable
For SDI Sources	Connect the source to the SDI input on screen #1. Link the SDI output from screen #1 to the SDI input of screen #2. Continue to link the screens together in this way until all screens are connected via their built-in SDI connections.
For Non-HDCP HDMI Sources	Use the PRO-H2-3GSDI HDMI to 3G-SDI Converter and connect the SDI output to the screens as described for SDI Sources.
For HDMI Sources (with HDCP) use:	CHDMI-4 - 1 to 4 HDMI Splitter for 2x2 Screen configurations CHDMI-210T - 1 to 10 HDMI Splitter for 3x3 Screen configurations QU-16E - 1 to 16 HDMI Splitter for 4x4 Screen configurations

Model No.	DS-42A	DS-47A
<b>SPECIFICATION</b>		
Screen Size	42 inches	47 inches
Panel Resolution	1920 x 1080	1366 x 768
Aspect Ratio	16 : 9	16 : 9
Response Time	8ms	12ms
Brightness	700cd/m <sup>2</sup>	700cd/m <sup>2</sup>
Contrast Ratio	3500 : 1	1400 : 1
Dynamic Contrast Ratio	10000 : 1	10000 : 1
Viewing Angle Range	178°	178°
<b>VIDEO</b>		
HDMI Compatibility	480p / 720p / 1080i / 1080p	480p / 720p / 1080i / 1080p
VGA Compatibility	Up to 1280 x 1024	Up to 1280 x 1024
SDI Compatibility	N/A	480i/ 576i/ HD-SDI-720p/ 1080i/ 3G-SDI-1080p
<b>INPUT / OUTPUT</b>		
HDMI Interface	1 Rear	2 Rear
SDI Interface	N/A	2 Rear (1 male, 1 female)
RS-232	2 Rear (1 male, 1 female)	2 Rear (1 male, 1 female)
15 Pin Dsub	1 Rear	2 Rear (1 male, 1 female)
IR Port	1 Rear	1 Rear
<b>GENERAL</b>		
Power Supply	AC 100~240VAC/5A(Max) 50-60Hz	AC 100~240VAC/5A (Max) 50-60Hz
Power Consumption	135W (Standby 1W)	150W (Standby 1W)
OSD Languages	English, Chinese	English, Chinese
Dimension (HxWxD)	955mm x 550mm x 83mm	1046mm x 591mm x 115mm
Bezel Size	10mm	Total 6mm (4mm left + 2mm right)
Package Dimension (HxWxD)	1080mm x 690mm x 220mm	1185mm x 745mm x 215mm
Net Weight	21 kgs	20.4 kgs
Gross Weight	23 kgs	21 kgs

## DS-MSC - Video Wall Control Processor



The DS-MSC Controller will allow you to create a video wall using your own HDMI or VGA screens. Aside from creating a video wall, this solution is perfect for retail stores already using multiple screens but want the ability to display HD content or digital signage to promote their company or products.

Many TV departments in consumer electronic stores find this flexibility to be a huge benefit to their sales environment.

Product Code	Description
DS-MSC (Multi-Screen Controller)	For use with third party screens to emulate a video wall. This controller will control the digital signage content for each screen on a video wall system using up to 25 screens. One controller is required per screen. If the user has only one HDMI or VGA source, then an appropriate Distribution Amplifier (Splitter) will be required to split the source signal to each of the Multi-Screen Controllers feeding the screens.
Distribution Amplifiers:	CHDMI-4: 1 to 4 HDMI Splitter for 2x2 Screen configurations CHDMI-210T: 1 to 10 HDMI Splitter for 3x3 Screen configurations QU-16E: 1 to 16 HDMI Splitter for 4x4 Screen configurations(use 2 units for 25 screens)



**CYP (UK) Ltd**

Unit 7, Shepperton Business Park,  
Govett Avenue,  
Shepperton  
Middlesex  
TW17 8BA

T : +44 (0)20 3137 9180

F : +44 (0)20 3137 6279

E : [sales@cypeurope.com](mailto:sales@cypeurope.com)



Member Since 2005